
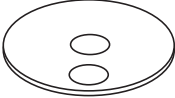



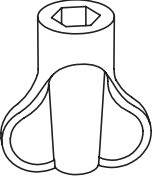
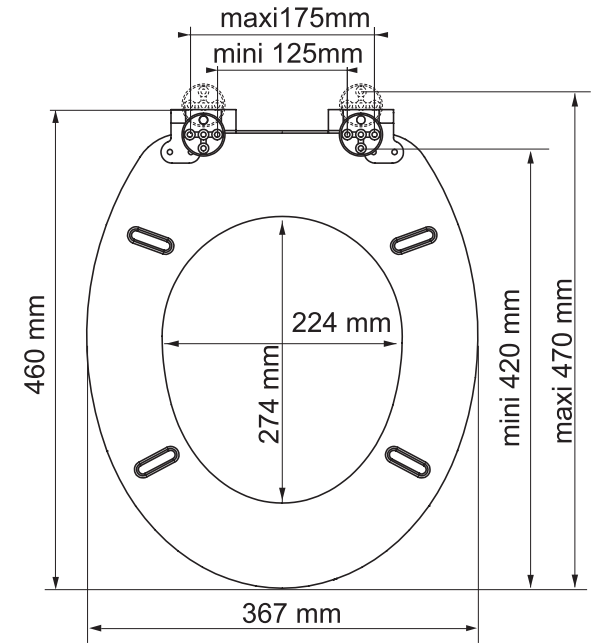
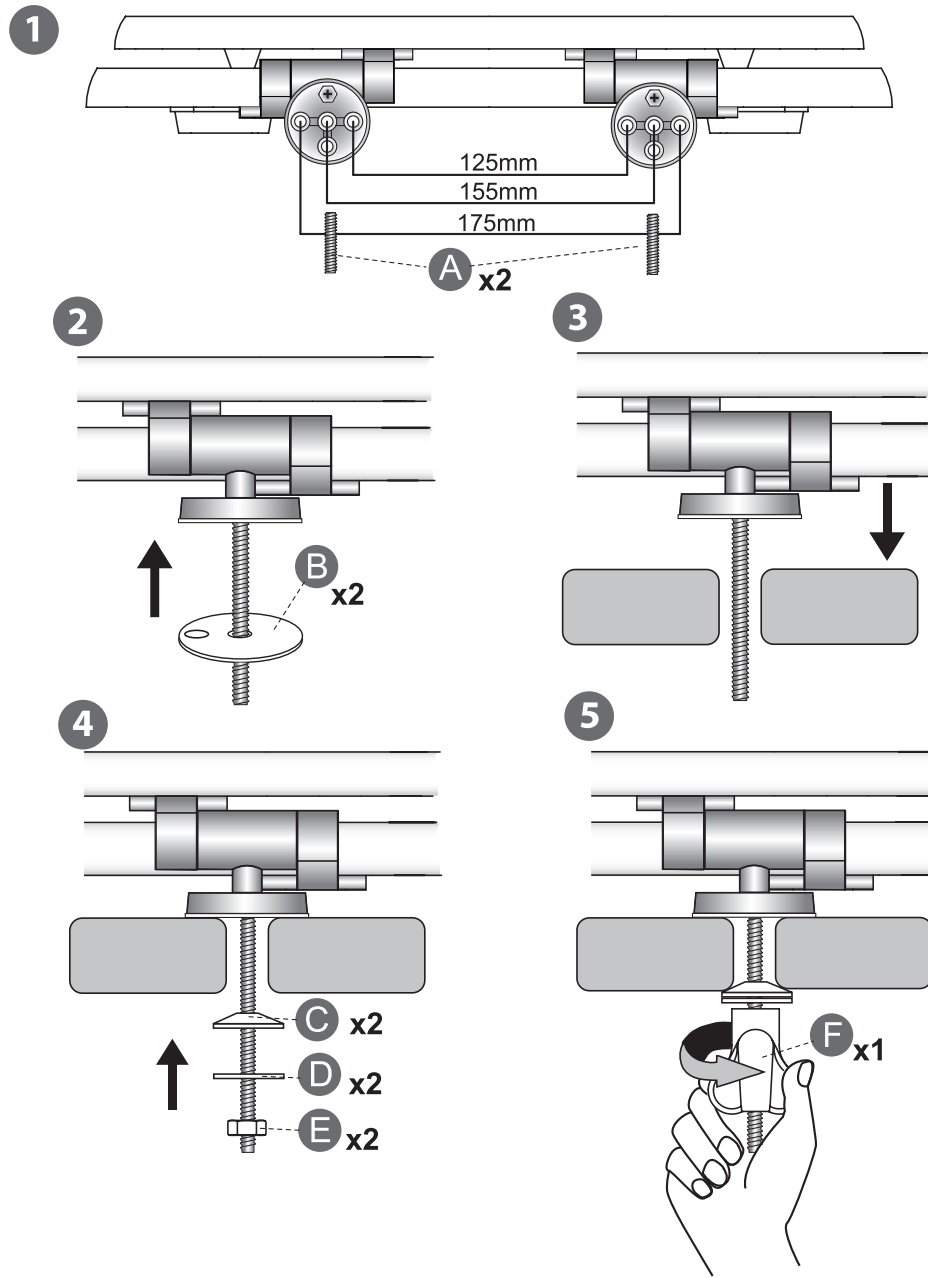


A	
x2	
B	
x2	
C	
x2	
D	
x2	
E	
x2	
F	
x1	



823665 nm