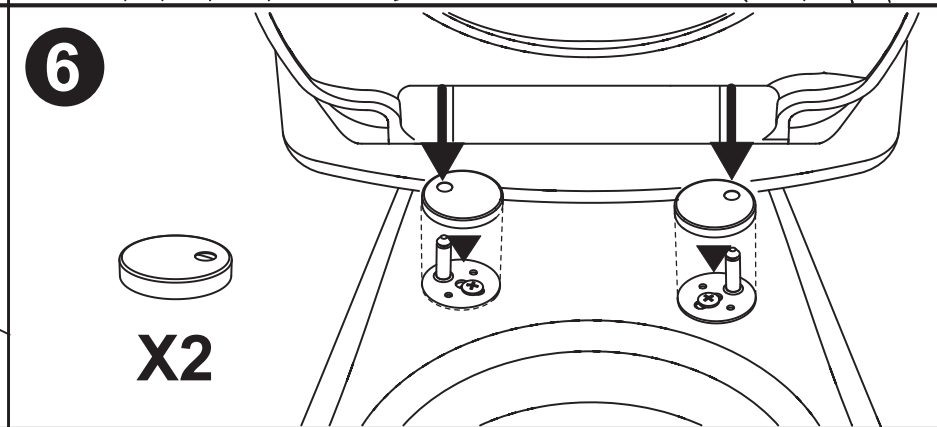
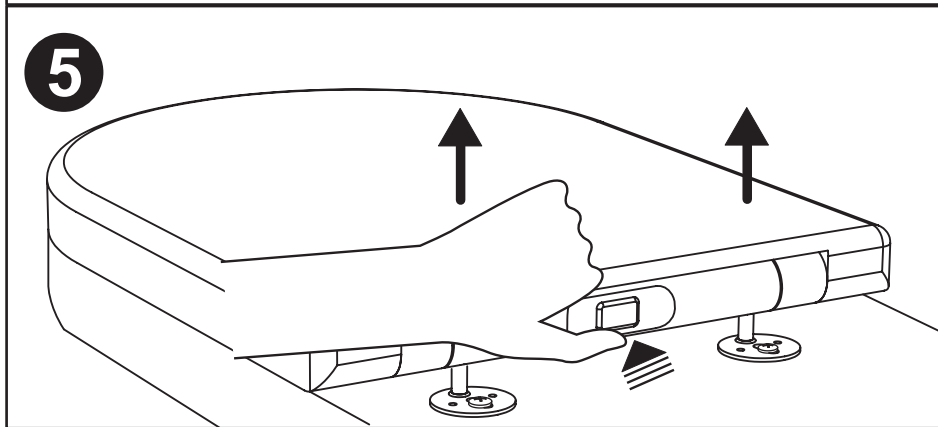
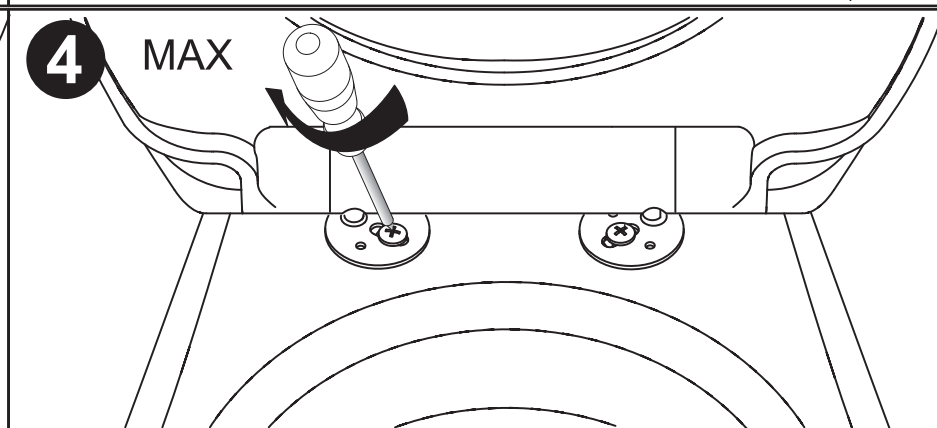
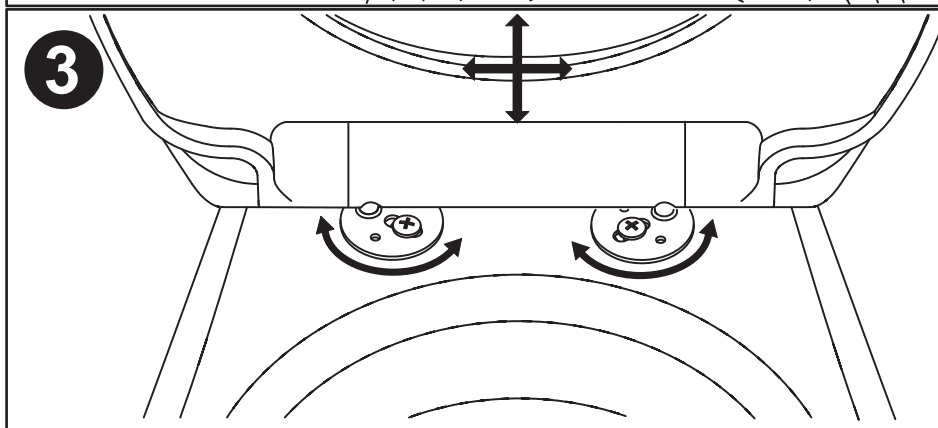
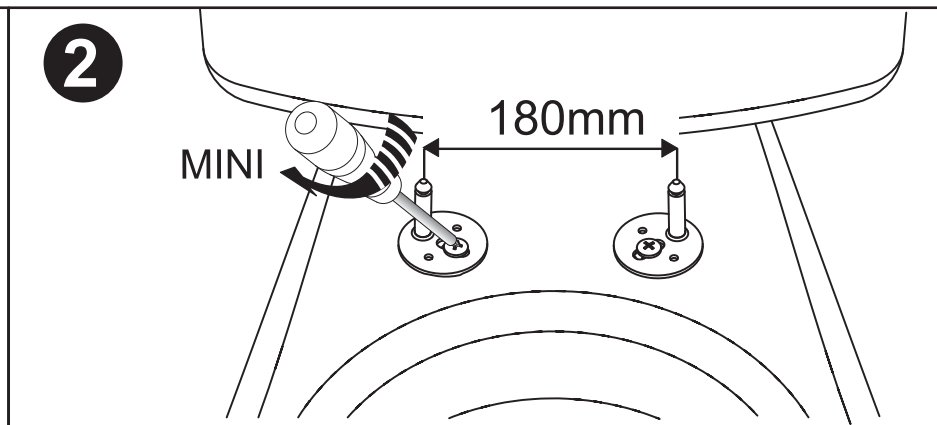
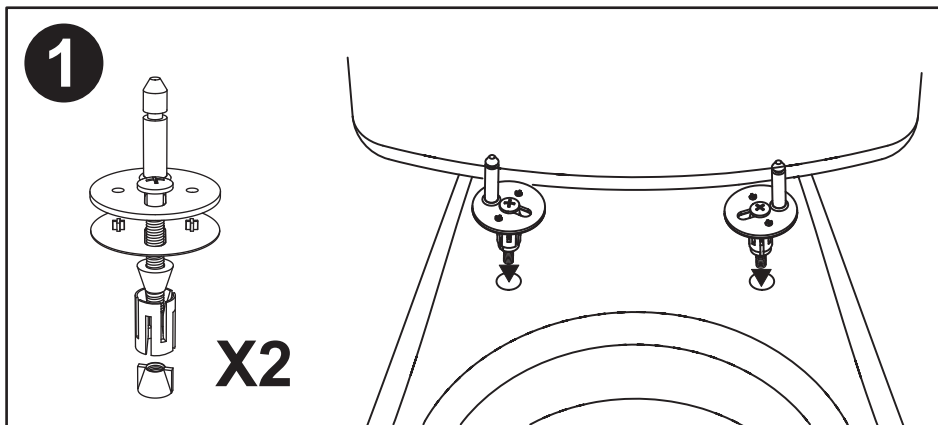


X2



X2



817775 nm A2